

Before construction, all calculations must be checked and cleared by the responsible planner.
Data valid except for typographical and printing errors.

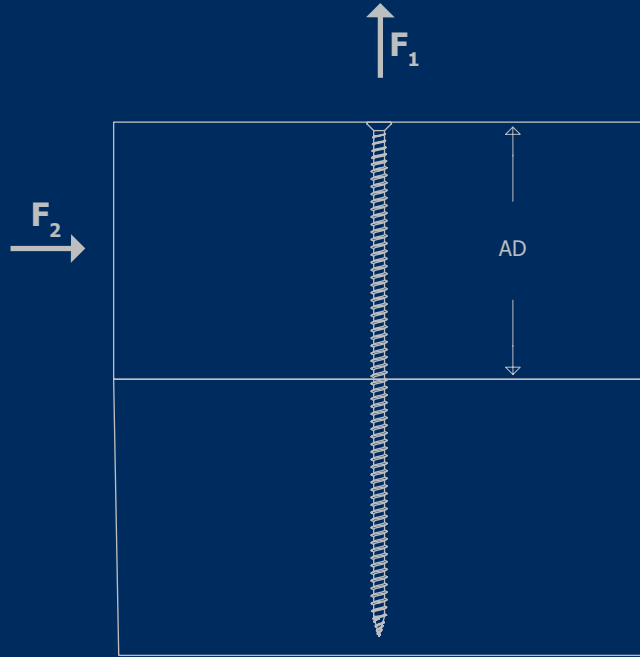
Diameter	Axial distance from the edge		Not pre-drilled	Pre-drilled
GoFix® SS	Grain orientation		Distance GoFix® SS	Distance GoFix® SS
[mm]	Distance a		[mm]	[mm]
11,3	a_1	parallel to the grain	136	57
11,3	$a_{1,t}$	strained edge of cross-grained wood	170	136
11,3	$a_{1,c}$	unstrained edge of cross-grained wood	113	79
11,3	a_2	perpendicular to the grain	57	45
11,3	$a_{2,t}$	strained edge	113	79
11,3	$a_{2,c}$	unstrained edge	57	34

Recommended drilling diameter:
GoFix® SS 8,0 mm

GoFix® SS



Dimensions [mm]		
GoFix® SS		
d1	TX	DK
11,3	50	18



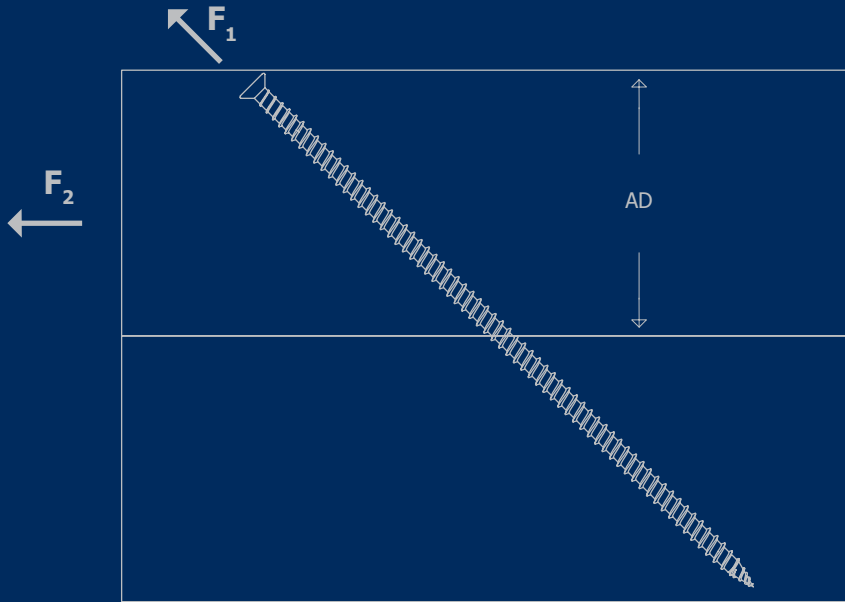
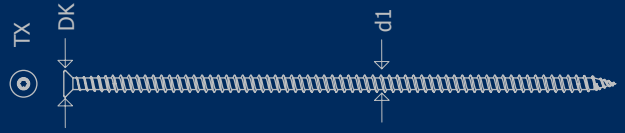
Before construction, all calculations must be checked and cleared by the responsible planner.
Data valid except for typographical and printing errors.

SIHGA®		Thickness of sec. comp.	Characteristic values		*Perm. values		
montagepack	GoFix® SS		Wood	Tensile force F_1	Lateral force F_2	Tensile force F_1	Lateral force F_2
Art. No.	PU	d1 x L	AD [mm]	[kN]	[kN]	[kN]	[kN]
25206	50	11,3 x 380	190	20,64	9,87	10,58	4,34
25216	50	11,3 x 420	210	22,81	10,41	11,70	4,58
25226	50	11,3 x 460	230	24,98	10,95	12,81	4,81
25236	50	11,3 x 500	250	27,15	11,50	13,93	5,05
25246	50	11,3 x 540	270	29,33	12,04	15,04	5,29
25256	50	11,3 x 580	290	31,50	12,58	16,15	5,53
25266	50	11,3 x 620	310	33,67	13,12	17,27	5,77
25276	50	11,3 x 660	330	35,84	13,67	18,38	6,01
25286	50	11,3 x 700	350	38,02	14,21	19,50	6,25
25296	50	11,3 x 750	375	40,73	14,89	20,89	6,54
25306	50	11,3 x 800	400	43,45	15,57	22,28	6,84
25316	50	11,3 x 900	450	48,88	16,93	25,07	7,44
25326	50	11,3 x 1000	500	50,00	18,28	27,85	8,04

Characteristic values for dimensioning according to EC 5 resp. DIN 1052 : 2008
Characteristic values for strength class C 24 (ρ_k 380 kg/m³)

*ÖNORM B 4100
(withdrawn)

Dimensions [mm]		
GoFix® SS		
d1	TX	DK
11,3	50	18



Before construction, all calculations must be checked and cleared by the responsible planner.
Data valid except for typographical and printing errors.

SIHGA®		Dimensions	Thickness of sec. comp.	Characteristic values		*Perm. values	
montagepack		GoFix® SS	Wood	Tensile force F_1	Lateral force F_2	Tensile force F_1	Lateral force F_2
Art. No.	PU	d1 x L	AD [mm]	[kN]	[kN]	[kN]	[kN]
25206	50	11,3 x 380	140	18,76	13,27	9,62	5,83
25216	50	11,3 x 420	150	20,74	14,66	10,63	6,45
25226	50	11,3 x 460	170	22,71	16,06	11,65	7,06
25236	50	11,3 x 500	180	24,69	17,46	12,66	7,67
25246	50	11,3 x 540	200	26,66	18,85	13,67	8,29
25256	50	11,3 x 580	210	28,64	20,25	14,68	8,90
25266	50	11,3 x 620	220	30,61	21,64	15,70	9,51
25276	50	11,3 x 660	240	32,58	23,04	16,71	10,13
25286	50	11,3 x 700	250	34,56	24,44	17,72	10,74
25296	50	11,3 x 750	270	37,03	26,18	18,99	11,51
25306	50	11,3 x 800	290	39,50	27,93	20,25	12,28
25316	50	11,3 x 900	320	44,43	31,42	22,79	13,81
25326	50	11,3 x 1000	360	49,37	34,91	25,32	15,35

Characteristic values for dimensioning according to EC 5 resp. DIN 1052 : 2008
Characteristic values for strength class C 24 (ρ_k 380 kg/m³)

*ÖNORM B 4100
(withdrawn)